

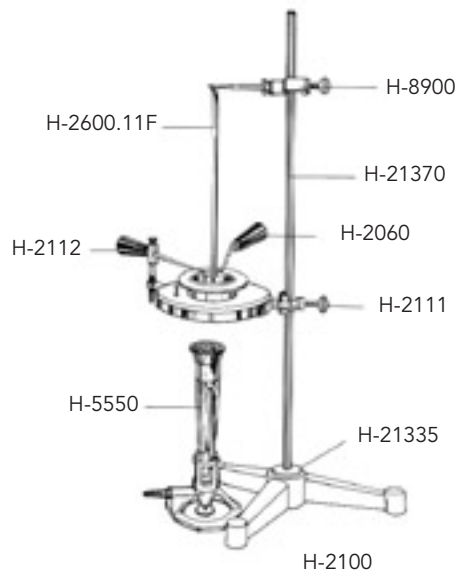


Cleveland Flash and Fire Point Tester— H-2100

Uses natural gas. Thermometer and cup platform positions are adjustable up and down on support rod. Meets ASTM D92, D117; AASHTO T48. Shipping wt. 17 lbs. (7.7kg)

Replacement Parts, Model H-2095

Description	Model
Cast Iron, tripod base with Steel Support Rod	H-21335
Support rod	H-21370
Burner	H-5550
Test burner	H-2112
Flash-Point Platform	H-2095P
Thermometer clamp	H-2113
Cup platform	H-2111
Flash cup	H-2060
Thermometer	H-2600.11F



Tag Open-Cup Flash Tester, Electric— H-1990

Tag Open-Cup Flash Tester, 230 50/60Hz— H-1990.4F

For determination of flash points of liquids having a flash point up to 230°F (110°C) and cutback asphalts with flash points of less than 200°F (93°C). Includes Pyrex cup, base and liquid bath with overflow, pivoting ignition taper with pilot light and reference bead and thermometer holder. Order H-2610.9C thermometer, leveling device and draft shield separately. Meets ASTM D1310, D3143; AASHTO T79. Shipping wt. 9-1/2 lbs. (4.3kg)

Tag Open-Cup Flash Tester, Gas— H-1995

Same unit as above, but uses gas to operate.

Replacement Parts, Model H-1990 and H-1995

Description	Model
Replacement Pyrex cup	H-1990.1
Leveling device	H-1990.2
Draft shield	H-1990.3
Thermometer, range: 20 to 230°F	H-2600.9F
Thermometer, range: -5 to 110°C	H-2610.9C



Flash Cup— H-2060

Used with Flash Point Testers, H-2085, H-2095 and H-2100.

Conradson Carbon Residue Apparatus— H-2495

Tests petroleum products to determine the amount of carbon residue left after evaporation and pyrolysis of an oil and to indicate relative coke-forming propensities. Includes burner, tripod, refractory block, nickel chrome triangle, nickel crucible and cover, Skidmore crucible, porcelain crucible and monel hood and bridge. Component parts available separately. Meets ASTM D189, D2416. Shipping wt. 7 lbs. (3.2kg)

Replacement Parts, Model H-2495

Description	Model
Porcelain crucible	H-2494
Skidmore crucible and cover	H-2497
Carbon residue apparatus hood	H-2496
Nickle crucible with cover	H-2498
Refractory block insulator ring	H-2505

