



**Cleveland Open Cup Flash Tester, Electric— H-2085
Cleveland Flash Tester, 220V 50/60Hz— H-2085.4F**

Thermometer position is adjustable. Meets ASTM D92, D117; AASHTO T48. Shipping wt. 20 lbs. (9.1kg)

Replacement Parts, Model H-2085, H-2085.4F

Description	Model
Electric Heater with Rheostat	H-2085.1
Flash-Point Platform	H-2085P
Test Burner	H-2112
Flash Cup	H-2060
Thermometer	H-2600.11F

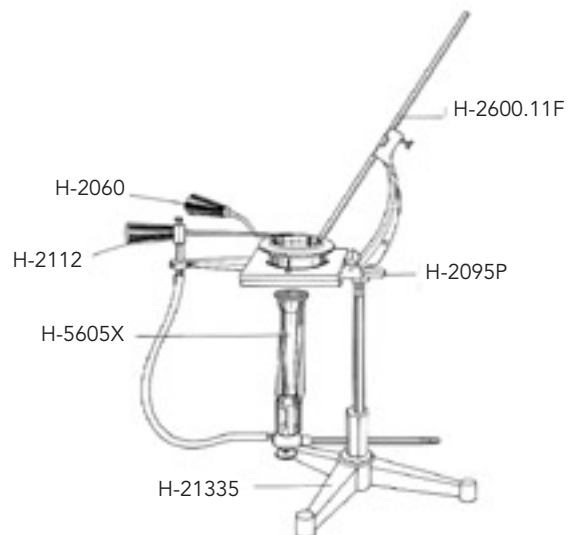
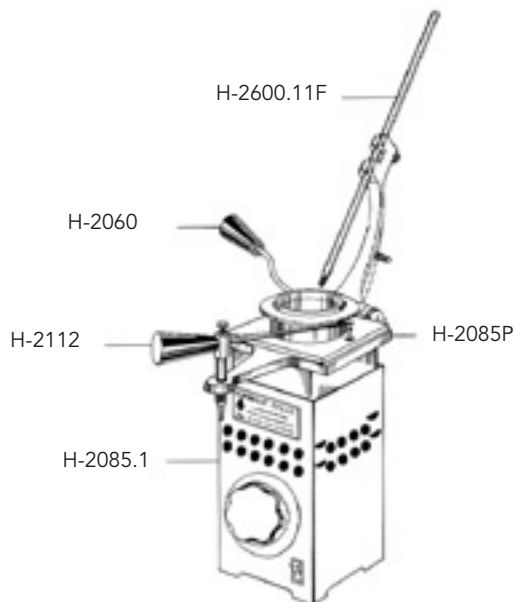


**Cleveland Flash and Fire Point Tester,
Natural Gas— H-2095**

One source supplies gas for both heating and test flame. Replacement parts available separately. Meets ASTM D92, D117; AASHTO T48. Shipping wt. 20 lbs. (9.1kg)

Replacement Parts, Model H-2095

Description	Model
Cast Iron tripod base with Steel Support Rod	H-21335
High Temp Burner w/ Adj. Valve Orifice	H-5605X
Flash-Point Platform	H-2095P
Test Burner	H-2112
Flash Cup	H-2060
Thermometer	H-2600.11F



Teléfonos: 01 (773) 7330313, 7331008, 7332358 Fax: 01 (773) 7330345

Asphalt