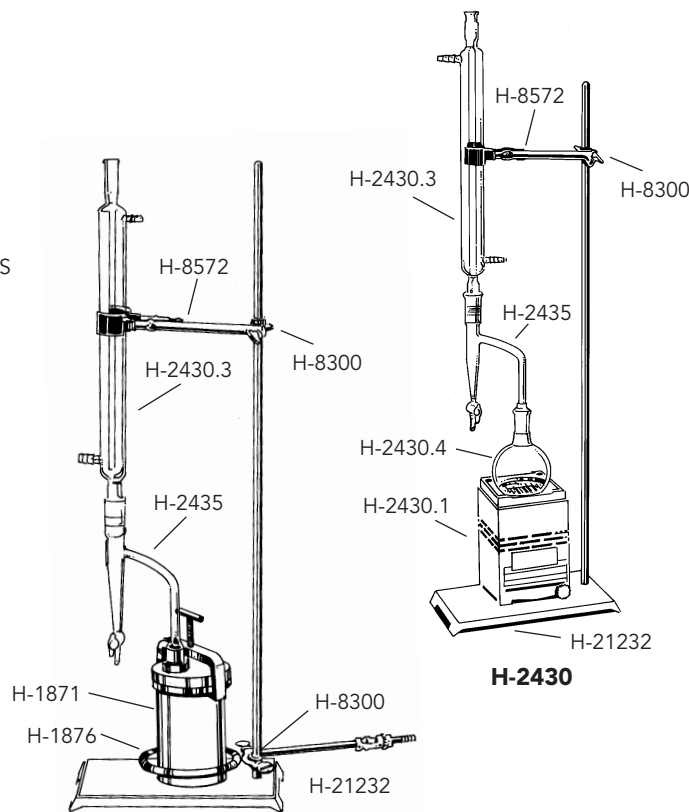


H-2290

Emulsified Asphalts Water Content Distillation Apparatus— H-2290

Same as H-2285 with smaller still, H-1871, substituted for H-2345 still. Meets ASTM D244; AASHTO T59. Shipping wt. 30 lbs. (13.6 kg)



H-2440, H-2442

Dean-Stark Electric Apparatus— H-2430
Dean-Stark Electric Apparatus, 220V 50Hz— H-2430.5F

Electrically heated apparatus determines water content in petroleum products and other bituminous materials. Meets ASTM D95, D244, E123; AASHTO T55, T59. Shipping wt. 30 lbs. (13.6kg)

Dean-Stark Gas-Heated Apparatus— H-2440

Gas heated apparatus determines water content in petroleum products and other bituminous materials. Uses the same component parts as the H-2430, except instead of an electric heater and flask, it includes a Tar Still and Ring Burner (listed below). Meets ASTM D95, D244, E123; AASHTO T55, T59. Shipping wt. 30 lbs. (13.6kg)

Individual Items Included in H-2430

Description	Model
0 to 750W Electric Rheostat Heater	H-2430.1
Condenser	H-2430.3
Flask	H-2430.4
20ml Distilling Receiver Trap with Stopcock	H-2435.20
Clamp	H-8300
Burette Clamp	H-8572
Rectangular Support Stand with Rod	H-21232

Items Included in H-2440

Description	Model
Tar Still	H-1871
Ring Burner	H-1876

Distillation Apparatus for Volatile Distillates— H-2442.25

Same components as the H-2440, but the distilling receiver is a trap for volatile fractions of bitumen. Included Trap is graduated 0 to 5ml in 0.1ml divisions. Meets ASTM D1461; AASHTO T110. Shipping wt. 25 lbs. (11.3kg)

Distillation Apparatus for Moisture Distillates— H-2442.10

Same components as the H-2440, but the distilling receiver is a trap for moisture distillates of bitumen. Included Trap is graduated 0 to 5ml in 0.1ml divisions. Meets ASTM D1461; AASHTO T110. Shipping wt. 25 lbs. (11.3kg)

Note: See following page for distillation accessories and replacement parts.